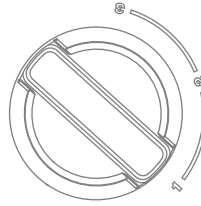
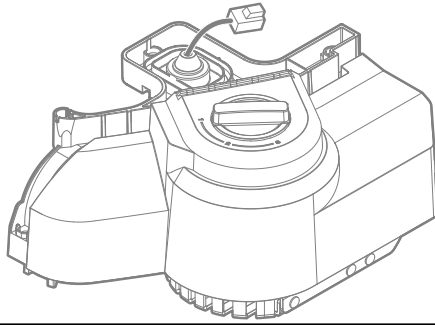
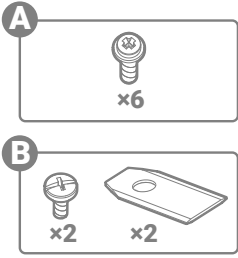
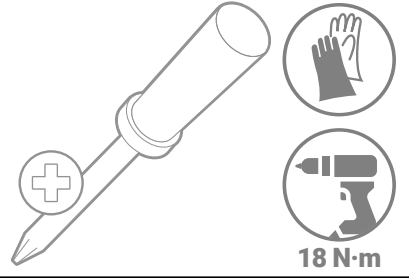


## In the box

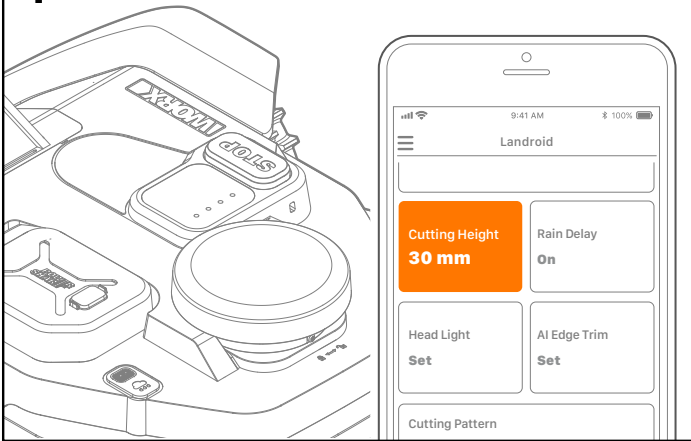


1	50 mm
2	60 mm
3	70 mm

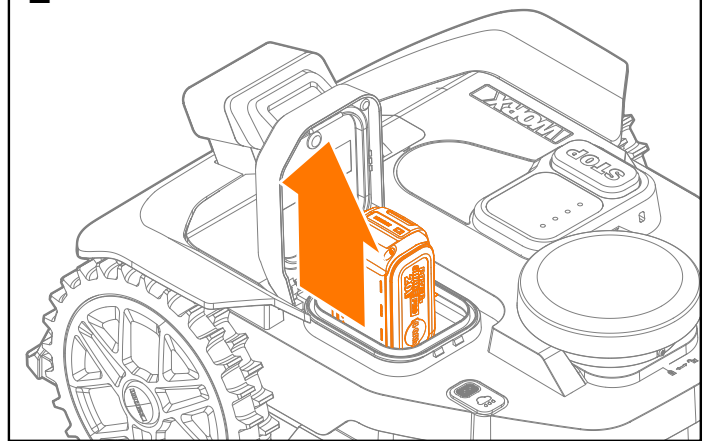
## From your toolbox



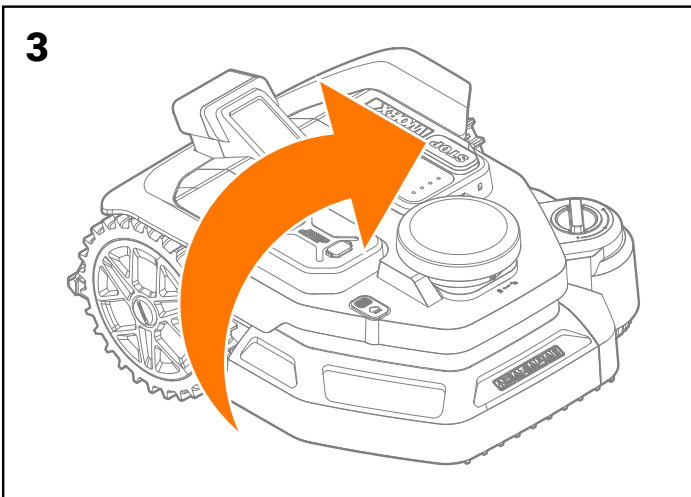
1



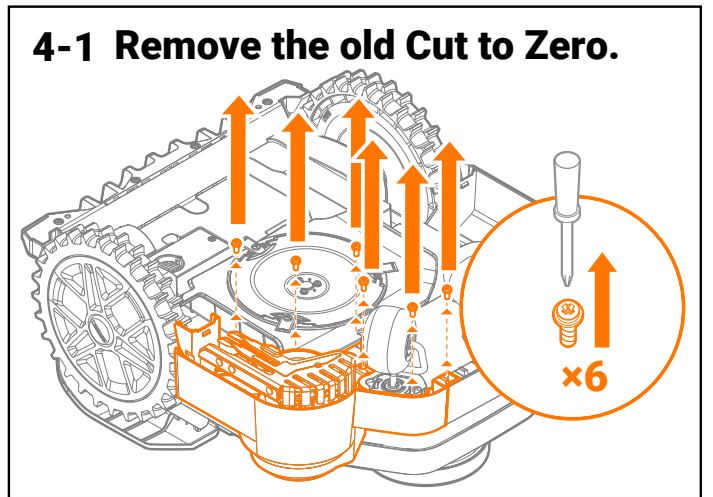
2



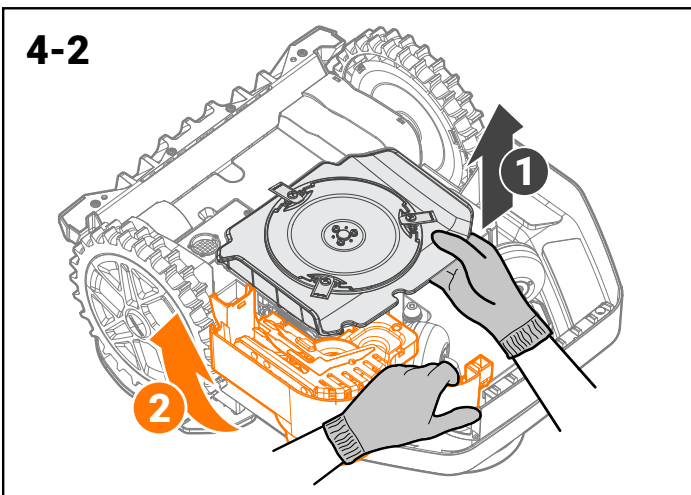
3



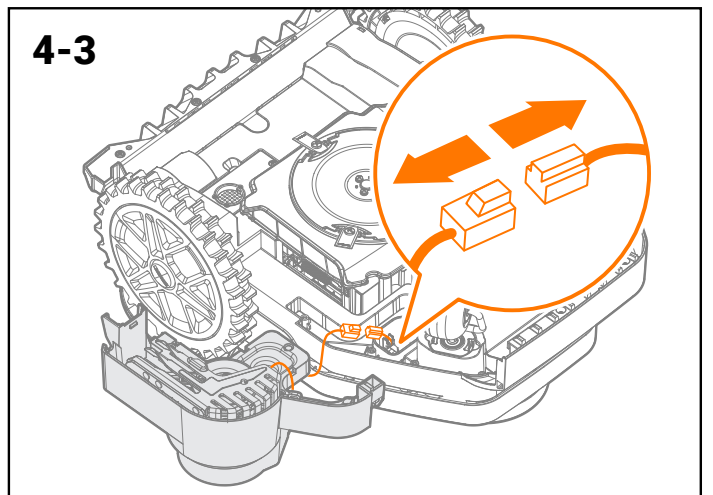
## 4-1 Remove the old Cut to Zero.



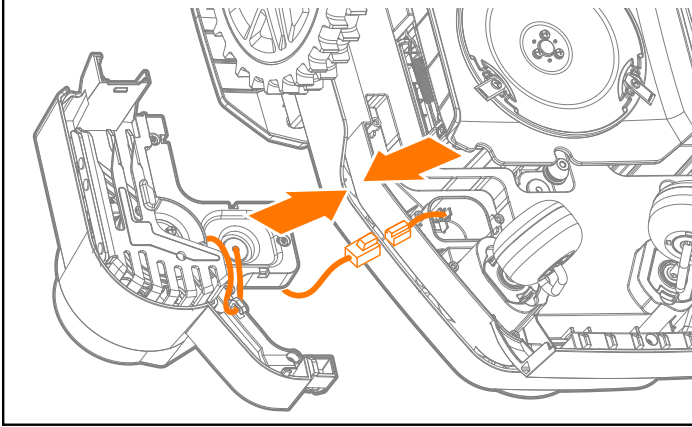
4-2



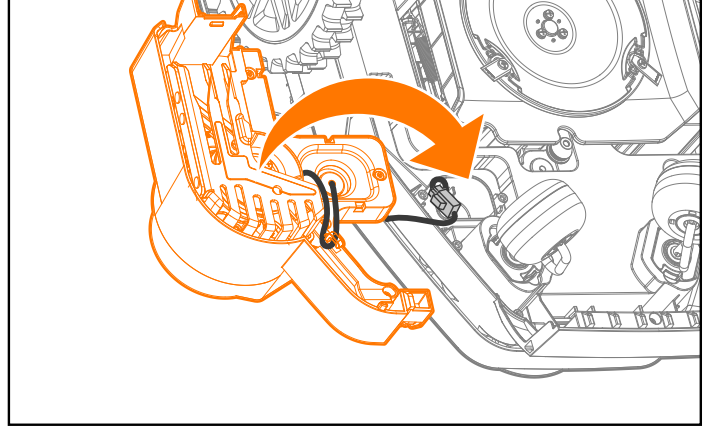
4-3



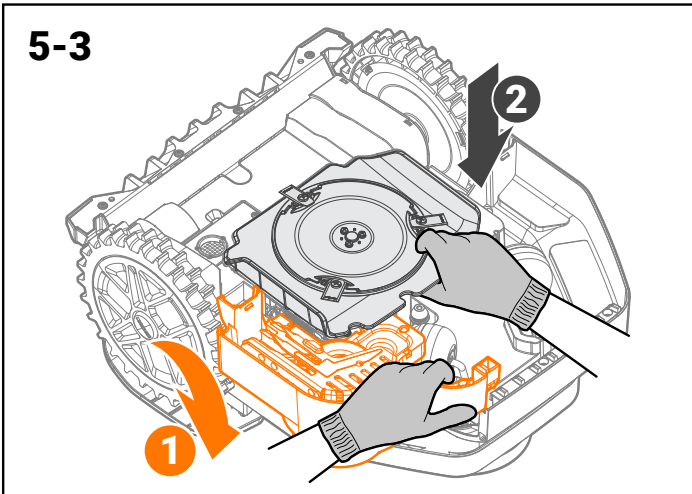
**5-1 Install the new Cut to Zero.**



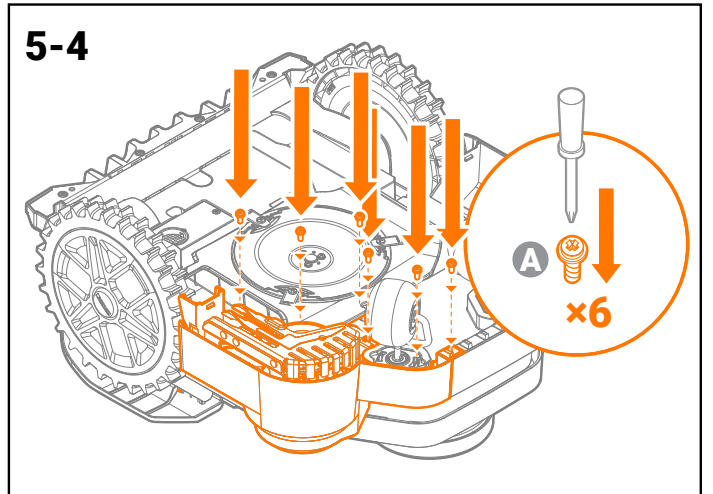
**5-2**



**5-3**



**5-4**



**6**

